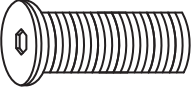








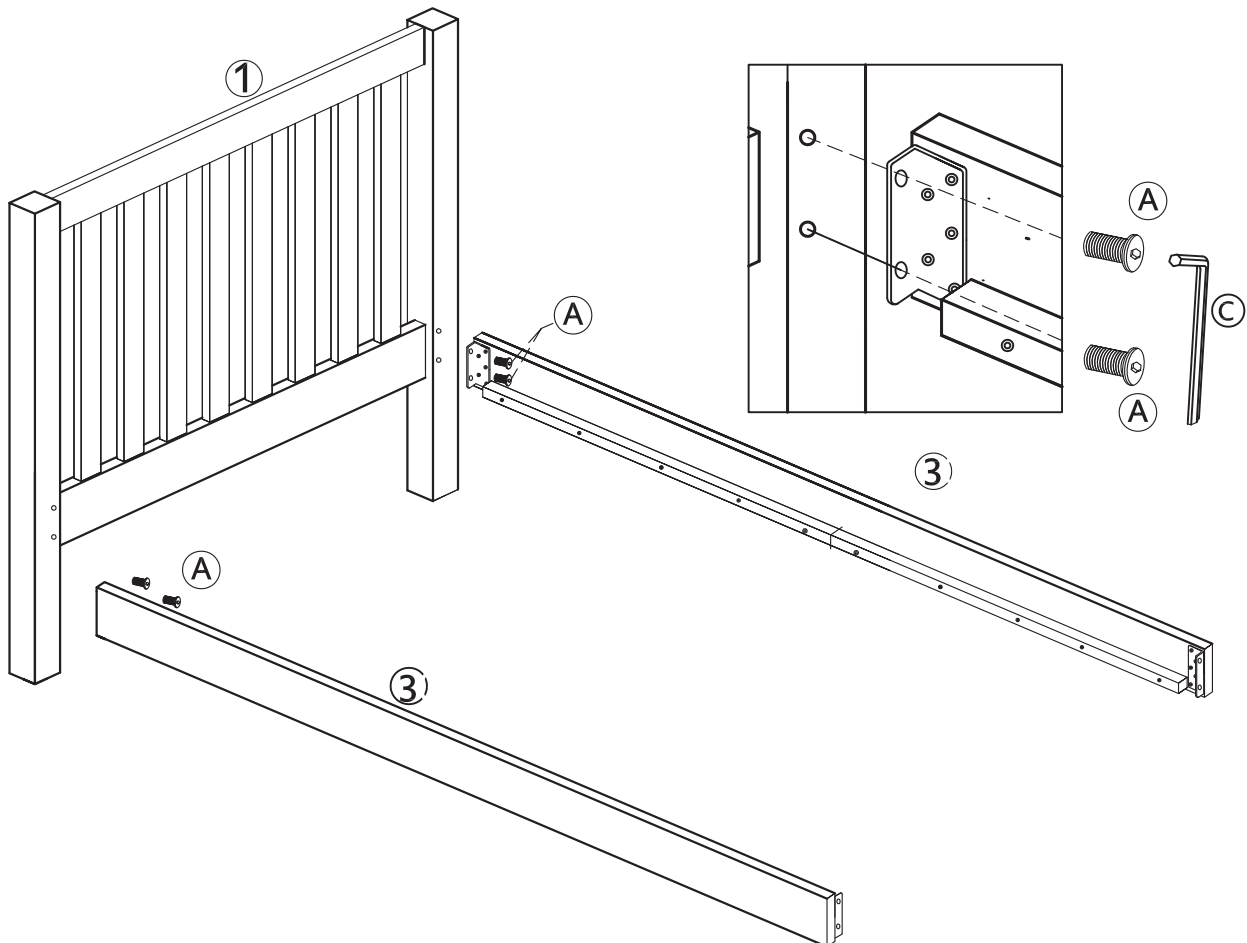
# Fittings

<b>A</b>	M8 x 22mm <b>Bolt</b> x 8	
<b>B</b>	M4 x 35mm <b>Screw</b> x 6	
<b>C</b>	Allen key x 1	

## Step by step assembly instructions

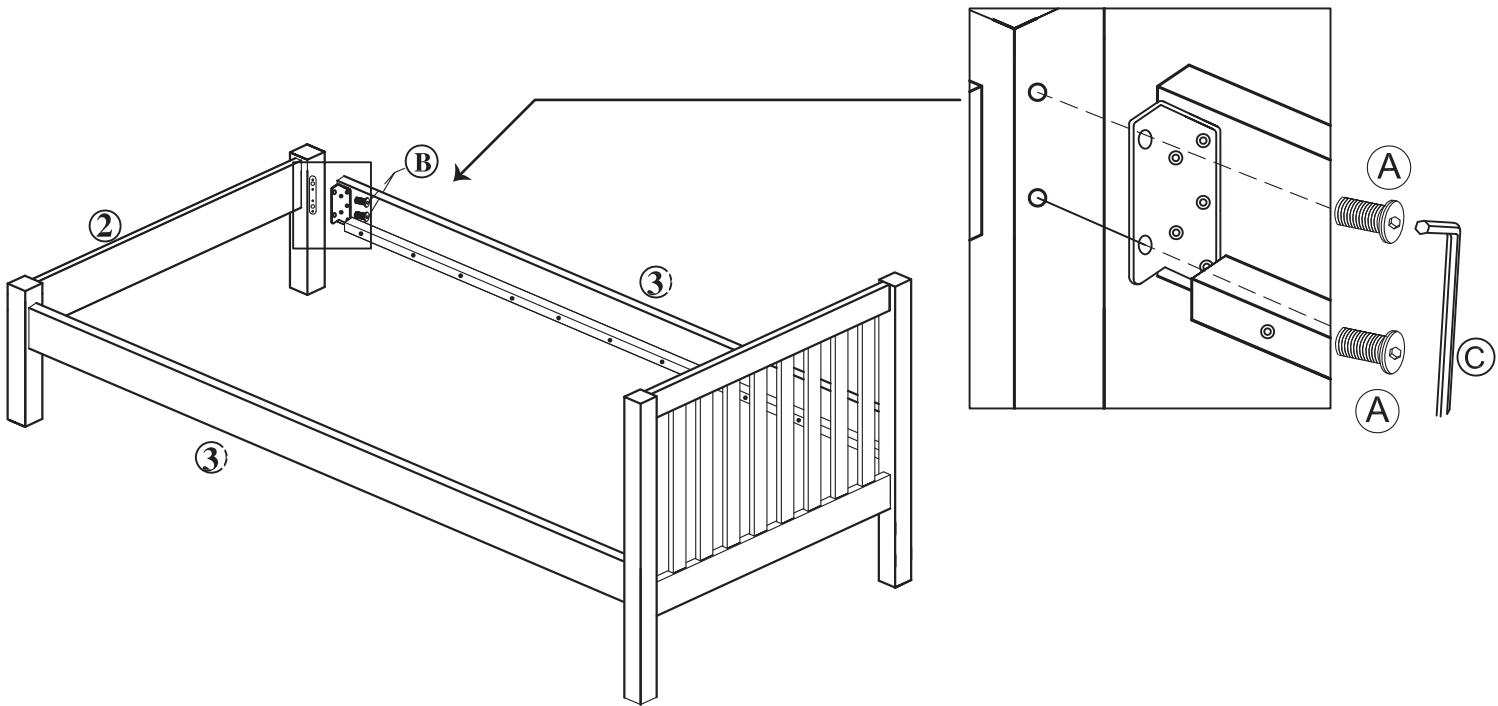
### Step one

Attach the side rails (3) to the head board (1) using **bolt (A)**. Tighten using allen key (C)



## Step Two

Attach the side rails (3) to the foot board (2) using **bolt (A)**. Tighten using allen key (C)



## Step Three

Starting at the headend, attach the slats (4) using screw (B). Before attaching, please ensure the first slat is placed as close as possible to the headboard. Next, pull the slats down to the footboard. Ensure the slats are covering the full length of the bed, secure using screw (B). Finally, secure the middle slats using screws (B).

